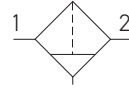


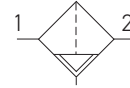
Particulate Filters



Symbols



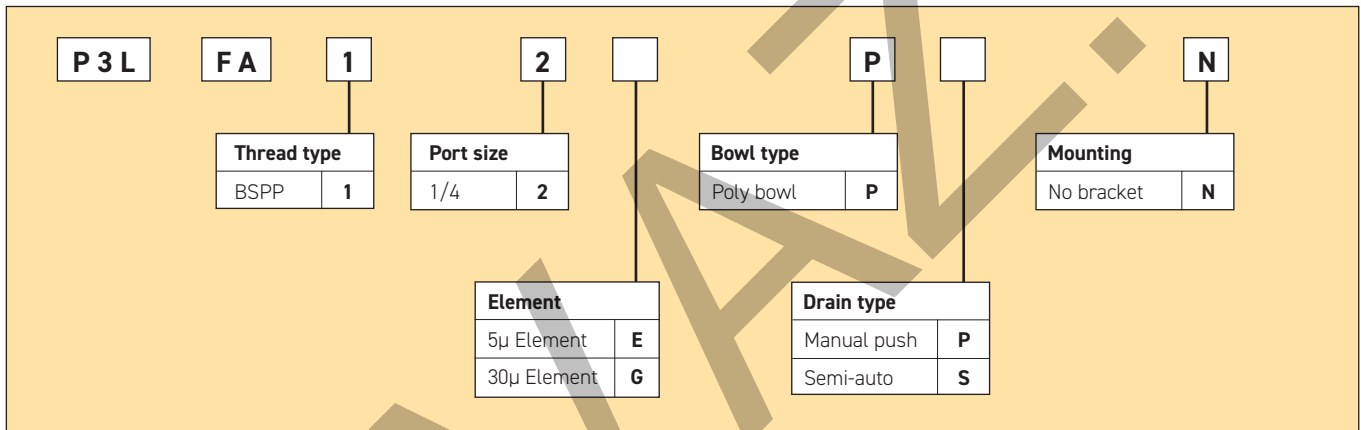
Manual drain



Semi-auto drain

- Integral 1/4 ports
- High efficiency 5 micron element as standard
- Excellent water removal efficiency
- Robust but lightweight construction
- One hand operation for easy element cartridge removal

Options:



| Port size | Description | Order Code | Flow dm ³ /s (scfm) * | Max bar (psi) | Height mm (Inches) | Width mm (Inches) | Depth mm (Inches) |
|-----------|-----------------------------------|--------------------|--|------------------|-----------------------|----------------------|----------------------|
| 1/4" | Poly bowl - Manual drain - 5µ | P3LFA12EPPN | 30.5 (65) | 10 (150) | 115 (4.52) | 40 (1.58) | 40 (1.58) |
| 1/4" | Poly bowl - Semi-auto drain - 5µ | P3LFA12EPSN | 30.5 (65) | 10 (150) | 115 (4.52) | 40 (1.58) | 40 (1.58) |
| 1/4" | Poly bowl - Manual drain - 30µ | P3LFA12GPPN | 30.5 (65) | 10 (150) | 115 (4.52) | 40 (1.58) | 40 (1.58) |
| 1/4" | Poly bowl - Semi-auto drain - 30µ | P3LFA12GPSN | 30.5 (65) | 10 (150) | 115 (4.52) | 40 (1.58) | 40 (1.58) |

* flow with 10 bar (145 psi) inlet pressure and 1 bar (14.5 psi) pressure drop.

Specifications

| | | |
|-----------------------|---------------------------------|-----------------------------------|
| Flow Capacity | 1/4 | 30.5 dm ³ /s (65 scfm) |
| Operating Temperature | 0°C (32°F) to 50°C (122°F) | |
| Max Supply Pressure | 10 bar (150 psi) | |
| Standard Filtration | 5 Micron | |
| Useful Retention | 12 cm ³ (0.4 US oz.) | |
| Port Size | BSPB | 1/4 |
| Weight | 0.11 kg (0.24 lbs) | |

* Inlet pressure 10 bar (145 psi). Pressure drop 1 bar (14.5 psi).

Air quality:

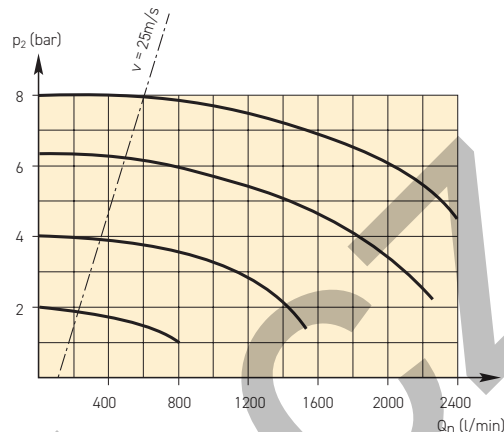
Within ISO 8573-1: 1991 Class 3 (Particulates)
 Within ISO 8573-1: 2001 Class 6 (Particulates)

Materials of Construction

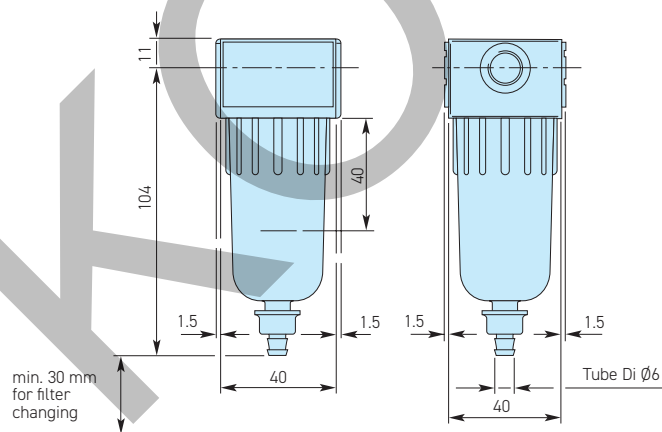
| | |
|------------------|-----------------------|
| Body | High Tech Polymer |
| Bowl | Polycarbonate |
| Element Retainer | POM |
| Baffle | POM |
| Filter Element | Sintered Polyethylene |
| Seals | Nitrile |

Flow Charts

5µ Filter



Dimensions



Repair and Service Kits

| | |
|---|-------------------|
| Plastic bowl / semi-auto drain | P3LKA00BPS |
| 5µ particle filter element | P3LKA00ESE |
| 30µ particle filter element | P3LKA00ESG |
| Individual mounting bracket - P3LFA / P3LLA | P3LKA00MW |